

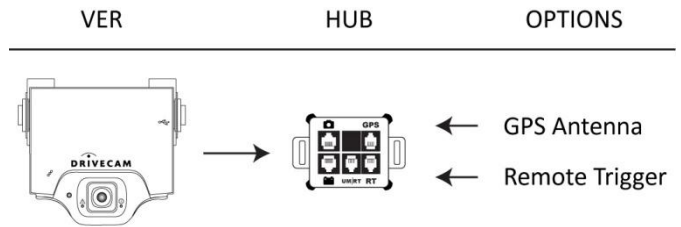
DriveCam Installation



DriveCam 5-Port HUB Installation

How to install the **DC3 Video Event Recorder (VER)** through the **5-Port HUB Connector** with the optional **GPS Antenna** and/or **Remote Trigger**.

Connection Diagram	3
VER & HUB Installation (Start Here)	4
Electrical Connections	7
GPS Antenna Installation	10
Remote Trigger Installation	11
Additional Information	12



Hardware (provided):

DC3 Kit

- DC3 Video Event Recorder
- Standard (Windshield) Mounting Bracket
- Torx Screws (2); Torx Wrench; Alcohol Wipe

5-Port HUB Kit

- DriveCam 5-Port HUB Connector with Cover
- HUB Interconnect Cable (14 ft.)
- HUB Power Cable (18 in.)

Additional items you may need (not provided):

- Felt-tip marker
- Voltmeter
- Wire cutter / crimper
- Wire connectors & extra wire (18 gauge)
- Flat blade screwdriver or panel removal tool

Hardware (ordered separately):

GPS Kit

- DriveCam GPS Antenna with Attached Cable (10 ft.)

Remote Trigger Kit

- DriveCam Remote Trigger (Pushbutton)
- Pushbutton Collar
- Pushbutton Cable (4½ ft.)

Alternate Mounting Brackets

- Extended (Bulkhead) Bracket
- RAM-Mount (Articulating) Bracket
- Contact DriveCam for assistance with any issues related to how or where VERs should be mounted.

Installation & How To Guides: Available online at: <http://www.drivecam.com/resource-center/installation-how-to-guides>

- DriveCam Mounting Guidelines (DRC 340)
- DriveCam Standard Installation Guide (DRC 303)
- DriveCam 5-Port HUB Installation Guide (DRC 304) * This Document
- DriveCam Fuel Efficiency Display (FED) Installation Guide (DRC 307)
- DriveCam 5-Port HUB Installation with Universal Module (DRC 305)

Order DriveCam Parts & Equipment:
<http://drivecam.force.com/partsorders>

⚠ Safety Information ⚠

**Read and follow the instructions and precautions in this book when installing components.
Refer to the vehicle service manual for proper installation and wiring of aftermarket devices.
Failure to do so may result in property damage and/or personal injury.**

This equipment is suitable for use in Class I, Division 2, Groups A, B, C and D or non-hazardous locations only.

WARNING – EXPLOSION HAZARD: Do not disconnect equipment unless power has been removed or the area is known to be non-hazardous.

WARNING – EXPLOSION HAZARD: Substitution of components may impair suitability for Class I, Division 2.

Regulatory Information

Adherence to Applicable Local, State and Federal Laws & Regulations

Some jurisdictions have adopted, or may in the future adopt, laws that prohibit objects from being mounted on a vehicle's windshield. For example, California, Minnesota, New Jersey and Florida currently prohibit or limit the mounting of objects, including DriveCam event recorders, on windshields. You are responsible for complying with any such laws, and DriveCam does not accept responsibility for your failure to do so. If you plan to operate your vehicle in a jurisdiction where windshield mounting is prohibited, contact DriveCam for assistance with any issues related to how or where VERs should be mounted.

USA Federal Communications Commission (FCC) Notice

This device complies with part 15 of the FCC Rules. Operation is subject to the following two conditions: (1) This device may not cause harmful interference, and (2) this device must accept any interference received, including interference that may cause undesired operation.

Caution: Changes or modifications to this product not expressly approved by DriveCam Inc. could void the user's authority to operate this equipment.

Note: This equipment has been tested and found to comply with the limits for a Class B digital device, pursuant to part 15 of the FCC Rules. These limits are designed to provide reasonable protection against harmful interference in a residential installation. This equipment generates, uses, and can radiate radio frequency energy and, if not installed and used in accordance with the instructions, may cause harmful interference to radio communications. However, there is no guarantee that interference will not occur in a particular installation.

The FCC with its action in ET Docket 96-8 has adopted a safety standard for human exposure to radio frequency (RF) electromagnetic energy emitted by FCC certified equipment. This device meets the Human Exposure limits found in OET Bulletin 65, 2001, and ANSI/IEEE C95.1, 1992. Proper operation of this radio according to the instructions found in this manual will result in exposure substantially below the FCC's recommended limits.

To comply with the FCC and ANSI C95.1 RF exposure limits, this device has been evaluated for compliance with FCC RF Exposure limits in the typical configuration. It is recommended that the antenna must not be co-located or operating in conjunction with any other antenna or radio transmitter. During operation, the transmitter shall be separated at least 20cm (8 inches) from any human contact.

Note: The radiated output power of this wireless device is far below the FCC radio frequency exposure limits. Nevertheless, this device should be used in such a manner that the potential for human contact during normal operation is minimized.

Canada – Industry Canada Notice

This device complies with Industry Canada RSS-210 regulations. Operation is subject to the following two conditions: (1) This device may not cause harmful interference, and (2) this device must accept any interference received, including interference that may cause undesired operation.

To prevent radio interference to the licensed service, this device must be operated indoors only and should be kept away from windows to provide maximum shielding.

This Class B digital apparatus complies with Canadian ICES-003. Cet appareil numérique de la classe B est conforme à la norme NMB-003 du Canada.

Exposure of Humans to RF Fields

The installer of this radio equipment must ensure that the antenna is located or pointed such that it does not emit RF field in excess of Health Canada limits for the general population; consult Safety Code 6, obtainable from Health Canada's website: www.hc-sc.gc.ca/rpb

Declaration of Conformity:

English	Hereby, <i>DriveCam, Inc.</i> , declares that this <i>DriveCamIII</i> is in compliance with the essential requirements and other relevant provisions of Directive 1999/5/EC. The declaration of conformance is below.
Finnish	<i>DriveCam, Inc.</i> vakuuttaa täten että <i>DriveCamIII</i> tyyppinen laite on direktiivin 1999/5/EY oleellisten vaatimusten ja sitä koskevien direktiivin muiden ehtojen mukainen.
Dutch	Hierbij verklaart <i>DriveCam, Inc.</i> dat het toestel <i>DriveCamIII</i> in overeenstemming is met de essentiële eisen en de andere relevante bepalingen van richtlijn 1999/5/EG Bi deze verklaart <i>DriveCam, Inc.</i> dat deze <i>DriveCamIII</i> voldoet aan de essentiële eisen en aan de overige relevante bepalingen van Richtlijn 1999/5/EC.
French	Par la présente <i>DriveCam, Inc.</i> déclare que l'appareil <i>DriveCamIII</i> est conforme aux exigences essentielles et aux autres dispositions pertinentes de la directive 1999/5/CE Par la présente, <i>DriveCam, Inc.</i> déclare que ce <i>DriveCamIII</i> est conforme aux exigences essentielles et aux autres dispositions de la directive 1999/5/CE qui lui sont applicables
Swedish	Härmed intygar <i>DriveCam, Inc.</i> att denna <i>DriveCamIII</i> står i överensstämmelse med de väsentliga egenskapskrav och övriga relevanta bestämmelser som framgår av direktiv 1999/5/EG.
Danish	Undertegnede <i>DriveCam, Inc.</i> erklærer herved, at følgende udstyr <i>DriveCamIII</i> overholder de væsentlige krav og øvrige relevante krav i direktiv 1999/5/EF
German	Hiermit erkläre <i>DriveCam, Inc.</i> , dass sich <i>dieser/diese/dieses DriveCamIII</i> in Übereinstimmung mit den grundlegenden Anforderungen und den anderen relevanten Vorschriften der Richtlinie 1999/5/EG befindet". (BMW i)
	Hiermit erkläre <i>DriveCam, Inc.</i> die Übereinstimmung des Gerätes <i>DriveCamIII</i> mit den grundlegenden Anforderungen und den anderen relevanten Festlegungen der Richtlinie 1999/5/EG. (Wien)
Greek	<i>ME THN ΠΑΡΟΥΣΑ DriveCam, Inc.</i> ΔΗΛΩΝΕΙ ΟΤΙ <i>DriveCamIII</i> ΣΥΜΜΟΡΦΩΝΕΤΑΙ ΠΡΟΣ ΤΙΣ ΟΥΣΙΩΔΕΙΣ ΑΠΑΙΤΗΣΕΙΣ ΚΑΙ ΤΙΣ ΛΟΙΠΕΣ ΣΧΕΤΙΚΕΣ ΔΙΑΤΑΞΕΙΣ ΤΗΣ ΟΔΗΓΙΑΣ 1999/5/ΕΚ
Italian	Con la presente <i>DriveCam, Inc.</i> dichiara che questo <i>DriveCamIII</i> è conforme ai requisiti essenziali ed alle altre disposizioni pertinenti stabilite dalla direttiva 1999/5/CE.
Spanish	Por medio de la presente <i>DriveCam, Inc.</i> declara que el <i>DriveCamIII</i> cumple con los requisitos esenciales y cualesquiera otras disposiciones aplicables o exigibles de la Directiva 1999/5/CE
Portuguese	<i>DriveCam, Inc.</i> declara que este <i>DriveCamIII</i> está conforme com os requisitos essenciais e outras disposições da Directiva 1999/5/CE.

Suppliers Declaration of Conformity

We DriveCam hereby declare that the product listed below, to which this Declaration of Conformity relates, is in conformity with the Standards and other Normative Documents listed below:

Manufacturer's Name & Address:

DriveCam Inc. 8911 Balboa Ave., San Diego, CA 92123 USA

Declares that the following product:

Product Name: Video Event Recorder

Product Models: DC-3000-256-C, DC-3000-256-CA, DC-3000-256-CAP, DC-3000-256-CP

The product specified above carries the marking, by complying with the essential requirements and provisions. Conformity is based upon the following standards:

Safety: HERO certification

EMC & Radio:

CFR Title 47 FCC Part 15, Subpart B, Class B

Industry Canada ICES-003 Issue 4 (2004), Class B

Product Models: DC-3000-256-G, DC-3000-256-GA, DC-3000-256-GAP, DC-3000-256-GP

The product specified above carries the marking, by complying with the essential requirements and provisions. Conformity is based upon the following standards:

EMC & Radio:

CFR Title 47 FCC Part 15, Subpart B, Class B

Industry Canada ICES-003 Issue 4 (2004), Class B

ETSI EN 301 489-7 v1.3.1 (2005-11)

ETSI EN 301 489-1 v1.8.1 (2008-04)

EN 61000-4-3: 2006 + A1: 2008

EN 61000-4-6: 2007

ISO 7637-2: 2004

AS/NZS CISPR 22: 2006

2004/104/EC Automotive EMC Directive (ESA), Sections 6.5, 6.6, 6.8 and 6.9

VCA, ATTESTATION WITH REGARD TO ANNEX I, Section 3.2.9 of 72/245/EEC

ICASA TA-2009/1696

Product Models: DC-3000-256-W, DC-3000-256-WA

The product specified above carries the marking, by complying with the essential requirements and provisions. Conformity is based upon the following standards

EMC & Radio:

ETSI EN 301 489-1 v1.8.1 (2008-04)

FCC Part 15 Subpart B

Industry Canada ICES-003 Issue 4 February 2004

CISPR 22: 2005 Information Technology Equipment

AS/NZS CISPR 22: 2006

ETSI EN 301 489-17 (2002-08)

Industry Canada RSS-Gen Issue 1 (2005)

Industry Canada RSS-210 Issue 6 (2005)

RTTE Directive 1999/5/EC

ETSI EN 301 489-1 v1.8.1 (2008-04)

EN 61000-4-3: 2006 + A1: 2008

EN 61000-4-6: 2007

ETSI EN 300 328 V1.6.1

ISO 7637-2: 2004

2004/104/EC Automotive EMC Directive (ESA), Sections 6.5, 6.6, 6.8 and 6.9

ISO 7637-2

VCA ATTESTATION WITH REGARD TO ANNEX I, Section 3.2.9 of 72/245/EEC

ICASA TA-2009/360

CE Marking CE1177

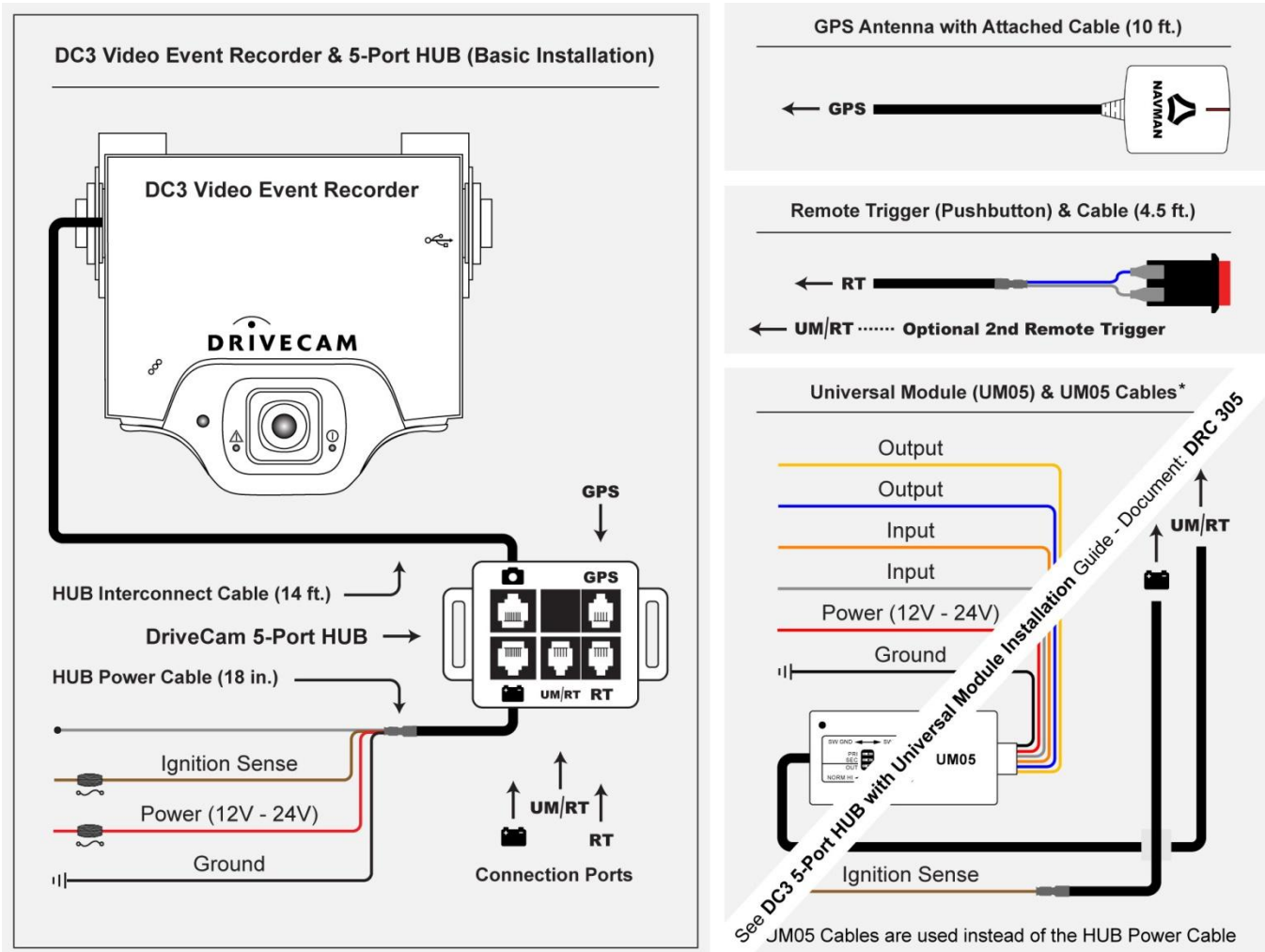
Manufacturer's Contact:

DriveCam Inc. 8911 Balboa Ave. San Diego, CA 92123 USA

Phone Number: (858) 430-4000 Fax Number: (858) 430-4001

DriveCam strives to provide the most up-to-date information, however, products and their applicability may change periodically and, therefore, DriveCam makes no representation as to the accuracy of the information provided herein and assumes no obligation to update such information.

DriveCam 5-Port HUB Connection Diagram



DC3 Video Event Recorder & 5-Port HUB (Basic Installation): Complete steps 1 - 10 before installing any other components.

- **DC3 Kit:** DC3 Video Event Recorder (VER), Windshield Mounting Bracket (other brackets available) & Torx Screws.
- **5-Port HUB Kit:** 5-Port HUB Connector with Cover, HUB Interconnect Cable (14 ft.) & HUB Power Cable (18 in.).

GPS Antenna: Complete the basic installation and then plug the GPS Cable into the GPS Port on the HUB.

- **GPS Kit:** DriveCam GPS Antenna with Attached Cable (10 ft.).

Note: The **GPS Antenna** is not required for event recorder models configured with **internal GPS receivers** (page 12).

Remote Trigger: Complete the basic installation and then plug the Pushbutton Cable into the RT Port on the HUB.

- **Remote Trigger Kit:** DriveCam Remote Trigger (Pushbutton), Pushbutton Collar & Pushbutton Cable (4½ ft.).

See page 12 for additional information

1. Thoroughly clean and dry the glass

The following steps describe installation using the **Windshield Mounting Bracket**. This is the most common installation method and applies to most sedans and light vehicles with sloped windshields and standard rear view mirrors. See note below for available options.

CAUTION: This step is critical to prevent the bracket from falling off.

- A) Select a location on the windshield behind the rear view mirror on the passenger side of the vehicle.
- B) Using the alcohol wipe provided, thoroughly clean the mounting area.
- C) Using a clean, dry cloth, thoroughly dry the mounting area.

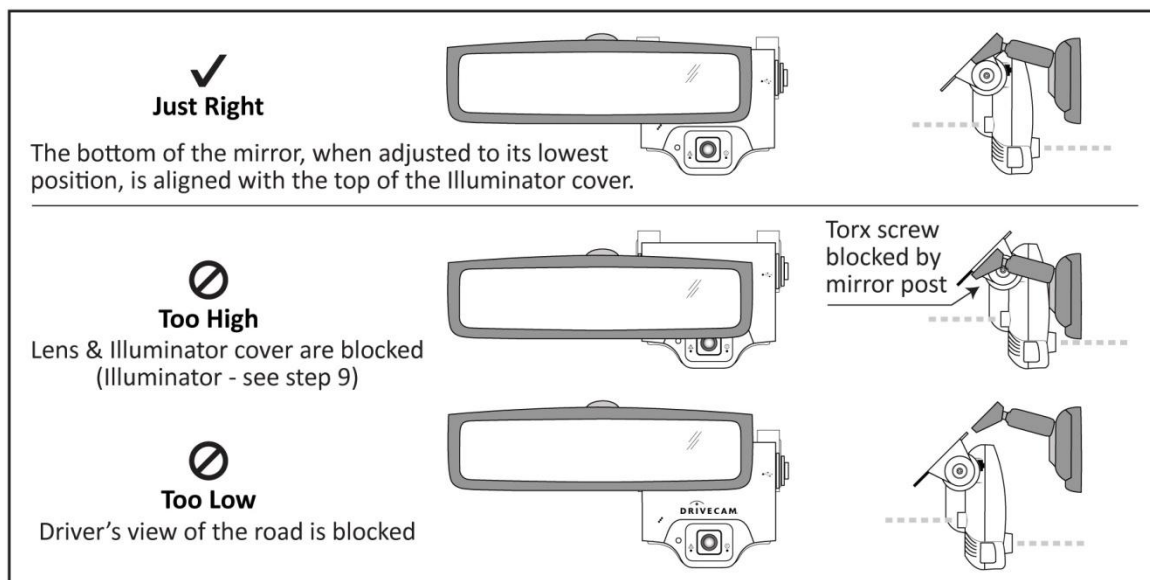


2. Carefully select a mounting location

The VER needs to be mounted in a location that provides an unobstructed view of the interior and exterior (front) of the vehicle. Ideally, the **interior-facing lens** should capture a view from the outside shoulder of the driver to the outside shoulder of a front seat passenger. The **exterior-facing lens** should capture a clear view of everything in front of the vehicle, beginning as close to the front of the vehicle as possible without cutting off the horizon.

CAUTION: An improperly positioned VER can significantly reduce the effectiveness of the DriveCam Program.

- A) Loosen the Torx screws so the VER can rotate in the bracket.
- B) Adjust or move the mirror down to its lowest position.
- C) Temporarily position the assembly (VER + bracket) behind the mirror, about one inch to the right of the post, providing access to the Torx screw and power connection.



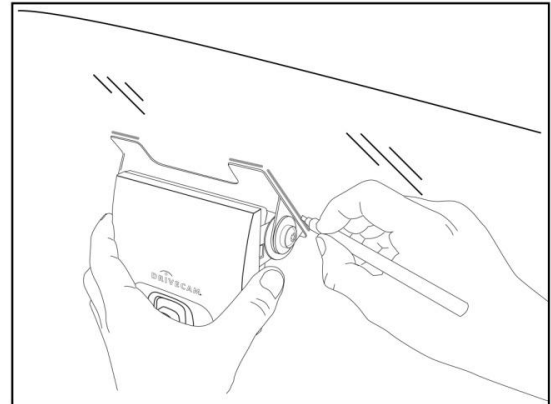
Mounting Options: Refer to the **DriveCam Mounting Guidelines (DRC 340)** if you're installing in a vehicle without a standard rear view mirror. The document provides additional details and diagrams about VER mounting in various vehicle types, including instructions for using the **Extended (Bulkhead) Bracket** and **RAM-Mount (Articulating) Bracket**. Government restrictions regarding the mounting of objects on the vehicle windshield and U.S. DOT exemptions are also covered.

3. Mark the mounting location on the glass

CAUTION: Do not peel the backing from the adhesive strips until the next step.

- A) Hold the assembly in place and trace the outline of the bracket on the windshield with a marker.
- B) Remove the VER from the mounting bracket.
- C) Check the fit of the bracket against the windshield.

If the windshield is curved, you may gently bend the bracket so it will lie flush against the glass.



Final Location Check:

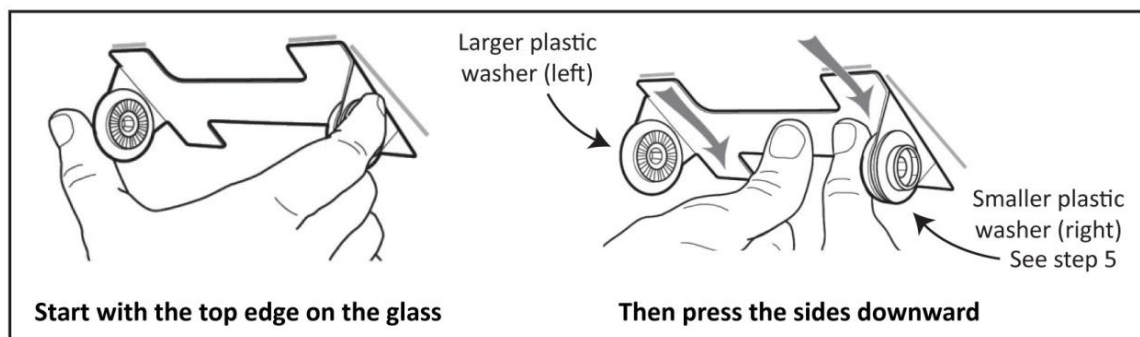
Before attaching the bracket in the next step, take a moment to verify that you have selected a good mounting location. Hold the assembly in place and sit in the driver's seat. Make sure the VER does not block the **driver's view of the road**. Rotate mirrors, sun visors, wipers, and other objects near the VER to make sure those items **do not block or interfere with either lens**.

4. Attach the bracket to the windshield

CAUTION: The adhesive is very sticky. Once the bracket is attached, it will not easily come off.

- A) Make sure the glass is clean and dry and the air temperature is at least 50°F (10°C).
- B) Remove the backing from the adhesive side of the bracket.
- C) Make sure the large plastic washer is on the left side of the bracket (see image below or next page).
- D) Start by placing the top edge of the bracket against the windshield, aligned with the marks, and make sure it's level.
- E) Press the bracket firmly against the windshield starting at the top and pressing the sides downward.
Do not apply excessive pressure as it may cause the windshield to break.
- F) Check from outside the vehicle to make sure there are no large air bubbles under the bracket.

You may need to (carefully) apply additional pressure to the bracket and remove any large air bubbles. Use a small pin to create an escape path for the air if the problem is persistent.



5. Mount the VER in the bracket

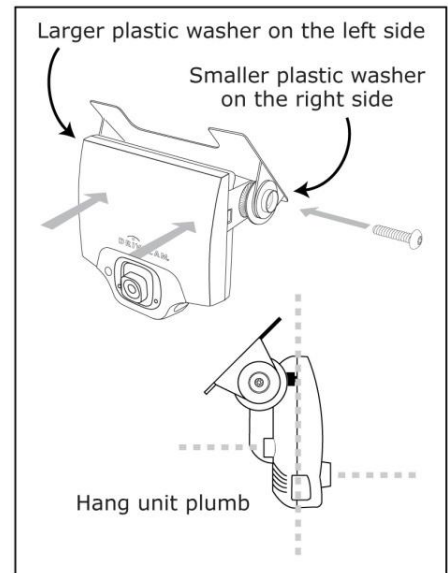
- A) Plug the HUB Interconnect Cable (14 ft.) into the VER.
- B) Place the VER in the bracket.
- C) Adjust the VER so that it hangs vertically (plumb).
- D) Secure the VER in the bracket using the two Torx screws and Torx wrench (provided).

Washer Placement:

The large plastic washer on the left side of the bracket is designed to partially cover the cable connector so that it cannot be unplugged.

The plastic washers can be easily removed from the metal bracket if you need to switch sides after mounting.

Make sure the larger of the two washers is on the left side of the bracket.



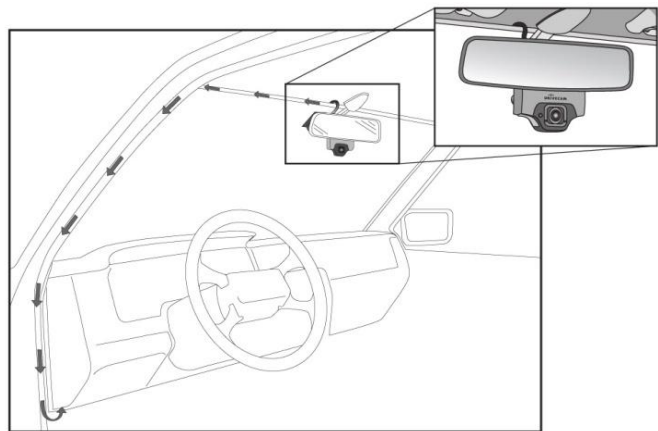
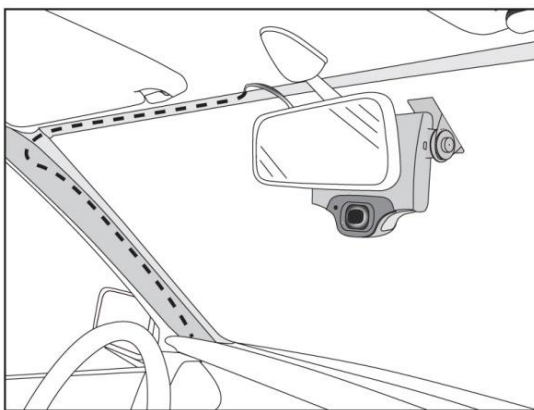
6. Route the HUB Interconnect Cable

You may need to remove the window and door trim to route the cable underneath. These typically snap on and off using special clips. In vehicles with side and curtain airbags, these clips are often one-time use and may need to be replaced after removal. **Please refer to the vehicle service manual for information.**



WARNING: When installing the cable in a vehicle with **SIDE OR CURTAIN AIRBAGS**, be certain that neither the cable nor your installation activities interferes with any airbag related mechanisms or otherwise risks affecting airbag deployment.

- A) Starting just above the rear view mirror, route the cable under the trim or headliner across to the door pillar.
- B) Route the cable down the door pillar underneath the vertical door/window trim then out under the lower part of the dashboard to the location where the 5-Port HUB will be mounted and the electrical connections will be made.



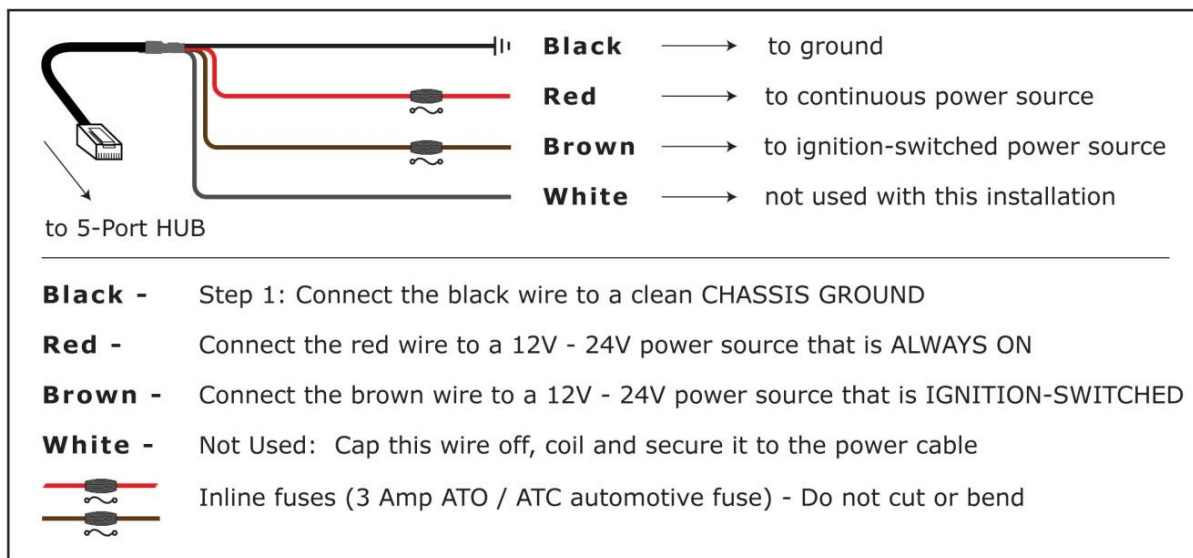
Secure the Cable:

Make sure the cable is secured and cannot come loose. We recommend using cable ties every few inches along the route to secure it in place. Keep the cable clear of any sharp edges, moving parts and cannot get pinched in the door jam. **Be very careful working around vehicle airbags.**

7. Electrical connections

The black, red and brown wires are the three required connections for the VER to function. The **red wire** provides primary power and must be connected to a continuous power source. The **brown wire** is an ignition-sense, used by the VER to activate the IR Illuminator (page 12) when the vehicle ignition is switched on. The **black wire** is ground.

- A) Find a suitable location to make electrical connections (usually under the dashboard or vehicle electrical panel).
- B) Connect the wiring to the vehicle as described below.
- C) Test the connections in steps 9 and 10 before finalizing the connections.



Connecting the RED WIRE to a 12V-24V power source that is ALWAYS ON

The VER requires a power source that is not controlled by the key nor any other device or switch. This connection is usually made just after the fuse box on the battery-side of any vehicle control modules. Use a voltmeter to make sure the circuit provides continuous 12V or 24V power when the key is removed from the ignition and all lights, devices and switches are off. **Test this connection in Step 9.**

Current Draw: If you're tapping into an existing vehicle wire, make sure it can handle the additional current draw of the VER. A wire that reads 12V on a voltmeter may not necessarily be able to supply enough current to the existing circuit and the VER. The gauge of wire being tapped into provides a good indication. A larger gauge wire is often the best choice, but make sure to test it with a load.

Connecting the BROWN WIRE to a 12V-24V power source that is IGNITION-SWITCHED

This connection senses when the ignition is switched on. This requires a power source that is "on" only when the key is turned all the way forward to the "on" position and when the engine is running. It's very important that this is connected properly. **Test this connection in Step 10.**

Common Error: This connection is often (mistakenly) made to a modulated circuit – one that comes out of a computer control module running some subsystem in the vehicle – which can give false ignition on/off signals. To avoid this, make sure to connect this wire to a circuit that is on the battery side of any modules. Consult the vehicle wiring schematics or a local authorized dealership to obtain this information.

If wires need to be extended, extend the ground wire first. If you must extend the red or brown wires, keep them as short as possible. If the extended length exceeds 16 inches, place an inline fuse (1-3 Amp) between the extended wire and the power connection. You may cut the **Inline Fuses** (shown above) and move them to the end to the extension if needed. The gauge of wire used for the extension must be the same gauge as the power cable wires or larger.

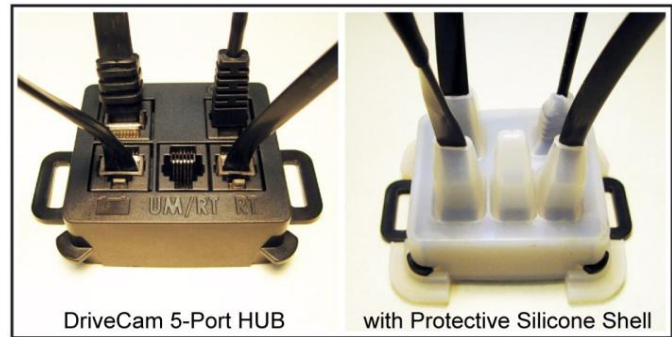
8. Connections to the 5-Port HUB



The 5-Port HUB has a silicone shell that covers the ports and cable connectors, protecting them from corrosion and damage.

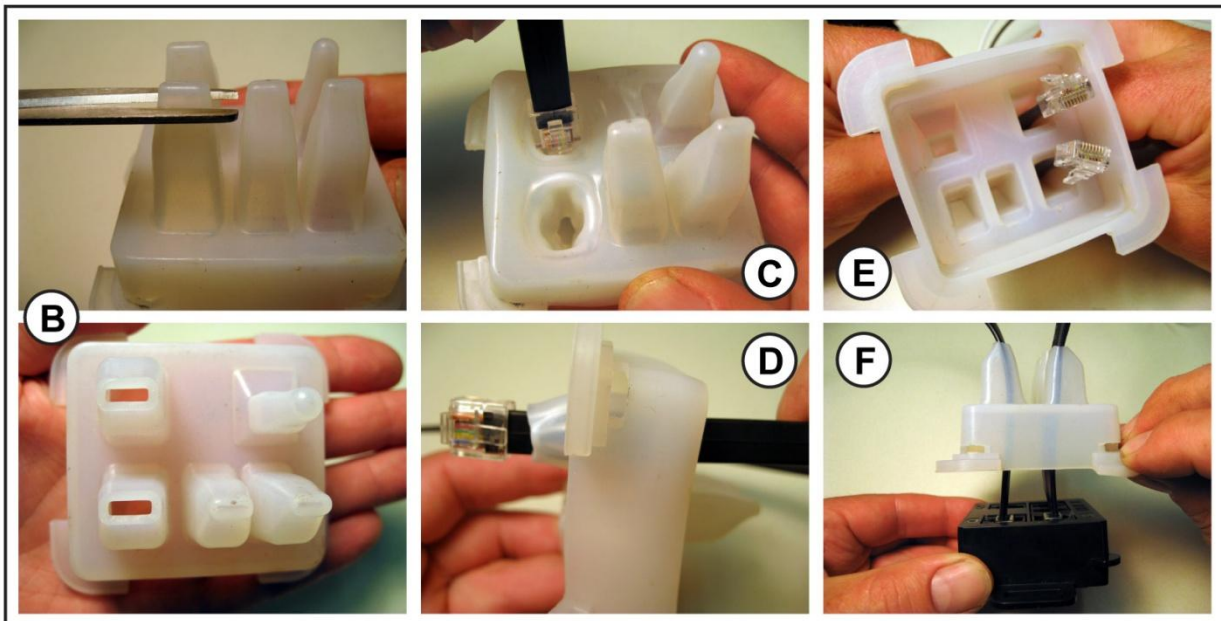
We recommend using the shell with all installations.

We also recommend applying dielectric grease to all cable connectors before plugging them into the HUB.

A) Remove the shell from the HUB. Refer to the connection diagram on page 3 to determine which cables plug into which ports on the HUB.



- B)** Cut about 1/8 to 1/4 inch from the tip of the shell sleeve above the **Camera**  and **Battery Ports**  on the HUB. The sleeve should fit tightly around each cable to ensure maximum protection from corrosion. The smaller opening, however, may make it difficult to push the cable connectors through. The silicone sleeves will stretch, but you may need to apply a lubricant (such as dielectric grease) to the connectors, allowing them to slip through more easily.
- C)** Press both sleeves down through the shell (invert them inside-out).
- D)** Push the **HUB Interconnect Cable** and **HUB Power Cable** through the inverted sleeves until they poke through the other side. See notes below.
- E)** Pull both sleeves back up through the shell.
- F)** Plug the cables to the HUB.
- G)** Proceed to the next page to test the connections.



Note: If you're planning to install the **GPS Antenna** (page 10) and/or **Remote Trigger** (page 11), you may connect those cables into the HUB at this time as well. Repeat the steps above for the **GPS** and/or **RT Ports** on the HUB.

8. Test the RED WIRE connection (continuous power)

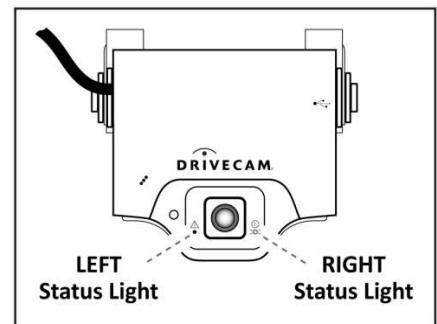
Once the power and ground connections are made and the vehicle ignition is switched on, the **status light** to the **right** of the interior-facing lens should be lit (either a red or green light).

Note: VERs are configured for **hibernation mode**, meaning it will automatically switch off (status lights will go dark) after the vehicle ignition has been off for a certain amount of time (15 minutes – several hours). Switch on the vehicle ignition or press one of the VER buttons to “wake up” the VER from hibernation. See page 12 for more information.

- A) Wait about 30 seconds after connecting power (red) and ground (black).
- B) Turn the key to the Ignition / Switched-On position. The **status light** to the **left** of the lens will light solid green for about 30 seconds after power is first applied and then switch **OFF**. The **status light** to the **right** of the lens should then switch **ON** and stay on (see note above).

Other status light behaviors that are commonly seen:

- **Left light blinking green:** Searching for a wireless signal.
 - **Right light blinking red:** Data transfer in progress.
 - **Right light blinking red & green:** Event recording in progress.
 - **Both lights blinking red & green:** Firmware upgrade in progress.
- C) These behaviors may continue for several minutes. All of them indicate that **the VER is properly powered. Go to step 9.**



Errors: If the status lights **did not light at all**, check the wiring and fuses.

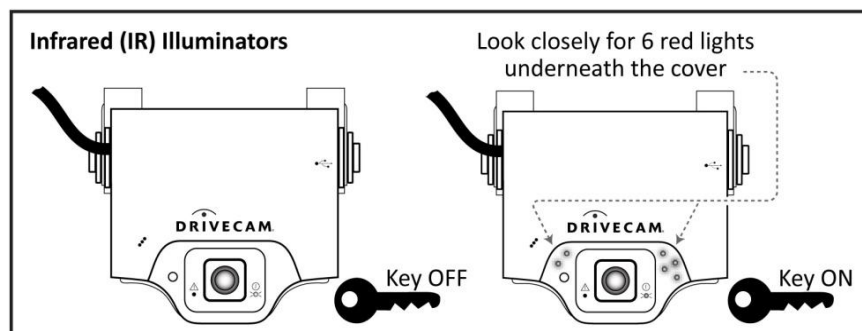
If you see any other status light behaviors, contact DriveCam Technical Support at (866) 910-0403.

9. Test the BROWN WIRE connection (ignition-switched power)

Underneath the translucent cover surrounding the interior-facing lens are six small, infrared lights. These are the VER's **Infrared (IR) Illuminators**, providing infrared light for recording video in low light situations. These lights can only be seen when they are lit, and they are only lit when power is being sensed through the brown wire (i.e. when the engine is running or when the key is turned all the way forward to the ignition ON position).

- A) Turn the key to the Ignition / Switched-On position.
- B) Look closely for the six red lights underneath the translucent cover.
- C) Turn the key to the OFF position. The six red lights should go out.
- D) If the test **worked as described**, the brown wire has been connected properly. **Go to the next page.**

If the test **did not work as described**, try it again in a darker area or cup your hands around the cover; the lights can be difficult to see. Next, check the wiring and fuses. It may have been connected to a modulated circuit (page 7).



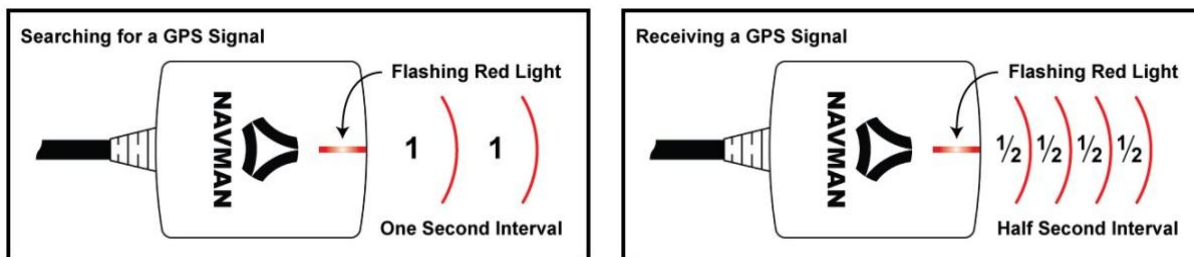
GPS Antenna Installation

DriveCam's **GPS Antenna** must be mounted in an area of the vehicle that receives good GPS satellite signal reception. The antenna has an attached 10 foot cable that plugs into the **GPS Port on the HUB (see diagram on page 3)**. Make sure the mounting location allows for connection and easy routing of the cable.

Complete steps 1 – 10 of the Basic Installation before installing the GPS Antenna.

- A) Select a location to mount the GPS Antenna (see mounting guidelines below).
- B) Route the GPS Cable to the 5-Port HUB, through the rubber shell (page 8) and then plug it into the GPS Port.
- C) Test the GPS Antenna to make sure it's in a good location and receiving a GPS signal:

The light on the antenna will blink (red) after it is plugged into the HUB and powered. It will blink slowly (about one second on and one second off) when searching for a GPS signal and then blink rapidly when a signal is found.



- D) Secure the antenna and cable in place. Make sure the cable is secured out of the way and will not come loose.

GPS Antenna Mounting Guidelines

- The ideal mounting location allows line-of-sight reception from the GPS satellites in orbit above.
- GPS signals will not penetrate metals of any kind. Coated (tinted) windows may also block signals.
- GPS signals will penetrate glass (uncoated), plastic, Styrofoam, fiberglass, wood, carpet and upholstery.
- The GPS Antenna is not designed for external use – it must be mounted inside the vehicle.

On the top of the dashboard: Secure the GPS Antenna flat on the dashboard with tape, Velcro, or magnet. Tuck the GPS Cable into the gap between the dashboard and the windshield (wrap with tape for a snug fit if necessary) then route the cable across and under the dashboard for connection to the HUB. This location usually provides the best signal reception. Make sure the GPS Antenna is positioned under a clear section of the glass.

On the front of the dashboard: Use the magnet on the back of the GPS Antenna to attach it to a flat metal surface. The GPS Cable should be secured just below the antenna to keep it in place. Route the cable neatly under the dashboard for connection. Velcro or tape may also be used to secure the antenna in place.

Attached to the inside of a window: Use a strong adhesive tape to attach the GPS Antenna to the windshield, a side or back window, or the sunroof. The GPS Cable can be routed along the edge if the window or tucked under the trim or headliner then under the dashboard for connection. Do not place the antenna under a dark or tinted section of the glass.

Concealed under the dashboard: The GPS Antenna can be placed under any non-metal object and still receive excellent GPS signal reception. This means you can mount the antenna directly under the dashboard, on an air vent, or under a removable plastic panel or trim piece. Make sure there are no large metal pieces between the GPS Antenna and the sky. Even small metal brackets or pipes can deteriorate the signal, depending on the size of the holes, openings, or spacing between the metal components. The upper portion of the dashboard is often an ideal place to conceal the antenna as it is usually composed only of plastic or foam, through which GPS signals can easily penetrate.

Remote Trigger Installation

DriveCam's Remote Trigger enables drivers to trigger Remote Manual Event recordings through a conveniently mounted button. The button comes with a 4½ foot cable that plugs into the **RT Port on the HUB (see diagram on page 3)**. Make sure the mounting location allows for connection and easy routing of the cable.

Complete steps 1 – 10 of the Basic Installation before installing the Remote Trigger

A) Select a location to mount the button.

The button is designed to be mounted in a fixed panel. It should be a location where the driver will not have to reach to press the button. Nor should it be placed where the driver may accidentally press the button. The Pushbutton Collar (see below) may be fitted over the button to help prevent accidental triggers. This is optional.

B) Using the proper bit size (about 1 inch), drill a hole into the panel.

The button mounting hole diameter must be between 15/16 – 17/16" (24 – 27 mm) and the panel thickness between 1/32 – 1/8" (1 – 3 mm), which is about the thickness of a nickel. It can be installed in a thicker panel but the button will not snap into place.

C) Route the Pushbutton Cable through the hole and connect the two wires to the tabs on the bottom of the button.

It does not matter which tab the wires are connected.

D) Route the other end of the cable to the 5-Port HUB, through the rubber shell (page 8) and then plug it into the RT Port.

E) Verify correct operation by pressing and releasing the button to trigger an event recording.

The right status light on the VER should begin to flash for several seconds. If not, recheck the wiring.

F) Following verification, press the button firmly into the mounting hole.

Note: If needed, a second Remote Trigger may be installed and plugged into the UM/RT Port on the HUB.

Mounting the Pushbutton Collar (optional): Adhesive tape on the bottom of the collar holds it in place. Make sure to clean the mounting surface thoroughly before attaching the adhesive collar. The tabs around the ring may be trimmed off if space is needed or to provide a better appearance. We recommend keeping at least 2 tabs on the collar.



Installation Complete

Follow these steps to finish up:

- A) Make sure the cables are tucked safely under the trim and cannot get pinched in the door jam or any moving parts.
- B) Reaffirm that you have taken the appropriate safety precautions while working around vehicle airbags.
- C) Finalize all electrical connections. Use cable-ties to bundle and secure all wires so they don't come loose.
- D) Make a note of the VER serial number and the vehicle in which it is installed. Provide this to management.
- E) Keep the Torx wrench and this guide in a safe place for future use.

The DriveCam-equipped vehicle is ready to be placed in-service with the DriveCam Program.

Additional Information

DriveCam Technical Support is available 24 hours / 7 days at (866) 910-0403.

Or, email questions to support@drivecam.com

Installation & How To Guides: Available at: <http://www.drivecam.com/resource-center/installation-how-to-guides>

- A) **GPS-enabled VERs:** Some (newer) models of the DC3 Video Event Recorder are configured with internal GPS receivers, capturing GPS data with every event recording and without the need to install the external GPS Antenna (page 10). GPS-enabled VERs have a model number ending in "CP", "CAP", "GP" or "GAP" printed on their label. Contact DriveCam Technical Support if you're not sure which VER model you have.
- B) **Mounting Options:** There are alternate mounting options available for the VER. The Standard Windshield Mounting Bracket positioned behind the rear view mirror (as described in this guide) is the most commonly used and typically provides the best solution. However, the Extended Bracket provides a wide variety of mounting locations, particularly in larger vehicles or vehicles without a standard rear view mirror. Refer to the DriveCam Mounting Guidelines (DRC 340) document for detailed information and mounting information.
- C) **Electrical Wiring Connectors:** Due to the variety of preferred wiring methods (ring terminals, splice connectors, fuse taps, poke-n-wrap), electrical connectors are not included in the hardware kit. Refer to the vehicle service manual for information about installation and wiring of aftermarket devices. We highly recommend this installation be completed by a qualified automotive electrician.
- D) **Hibernation Mode:** A feature of the VER which allows it to enter a low power state in order to conserve vehicle battery power. The VER will "hibernate" if it does not sense an ignition for a certain amount of time. Hibernation settings are chosen by the client and range from 15 minutes after ignition cut-off to 4, 8, 12, 18, 60 hours or never hibernate. All status lights will go dark during hibernation. To "wake up" a VER from hibernation, switch on the vehicle ignition or press one of the buttons on the bottom of the VER.
- E) **Infrared (IR) Illuminator:** Lights the interior of the vehicle with infrared light (invisible to the eye), enabling the VER to record clearly lit images in low light situations. This draws additional power from the vehicle, which is why it switches on and off with the vehicle ignition. The brown wire on the power cable provides this switch and must be connected to an ignition-switched power source.
- F) **Serial Number:** Each VER is labeled with a unique 8-digit serial number, used to identify the VER and the vehicle in which it is installed. The serial number (SN:) is printed on a small label on the back or side, just above the bar code. Example: "SN: ER00092D"
- G) **Operating Specifications:** The input voltage is 12V to 24V DC (9V min to 30V max). The operating temperature is -40 to 185 °F (-40 to 85 °C). A full list of specifications is available from DriveCam.

End of document.